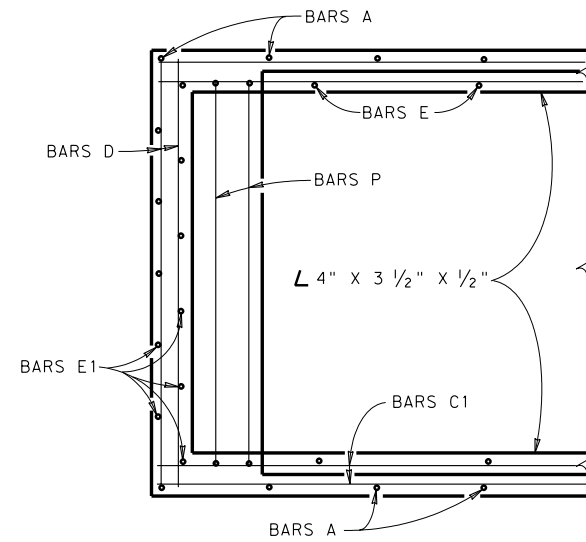
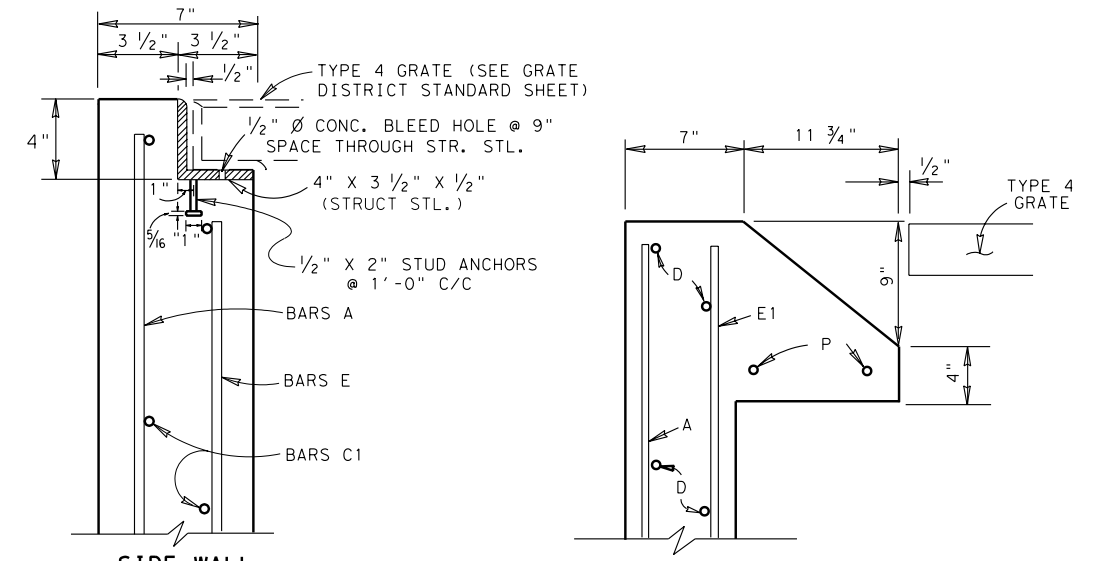


PLAN VIEW W/GRATE



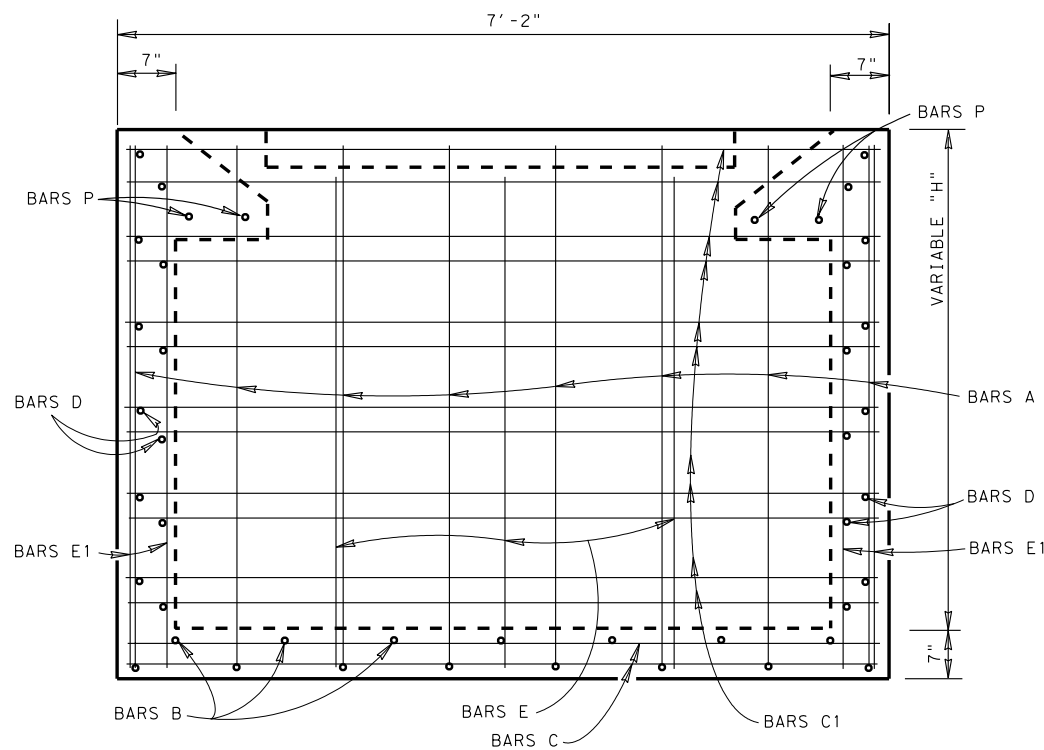
NOTE: SHOWING WALL REINF. STEEL ONLY, FLOOR REINF. STEEL NOT SHOWN FOR CLARITY. SEE SECTION A-A & B-B FOR FLOOR REINF. STEEL.

PARTIAL PLAN VIEW

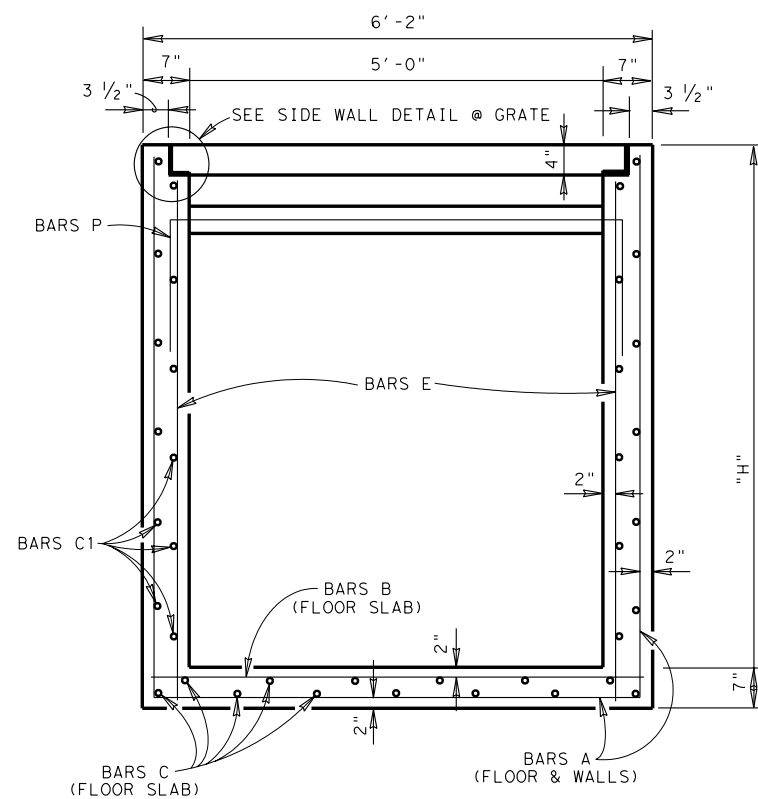


SIDE WALL DETAIL @ GRATE

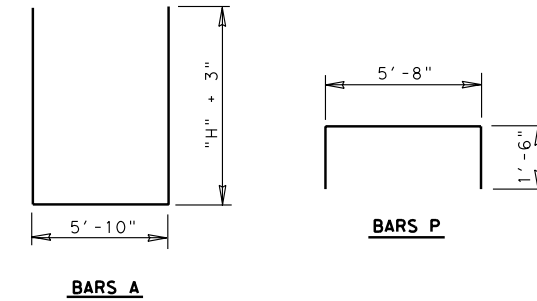
END WALL DETAIL



SECTION A-A (SIDE ELEVATION)



SECTION B-B



GENERAL NOTES :

1. ALL CONCRETE SHALL BE CLASS "A". COARSE AGGREGATE GRADE "4" MAY BE USED.
2. DIMENSIONS RELATING TO REINFORCING STEEL ARE TO CENTER OF BARS.
3. REINFORCING STEEL SHALL BE FIELD BENT OR CUT TO ALLOW FOR INSTALLATION OF PIPE(S).
4. PIPES MAY BE PLACED ON ANY SIDE AS INDICATED IN THE PLANS.
5. PAYMENT FOR GRATE, CONC., REIN. & STRUCTURAL STEEL SHALL BE INCLUDED IN THE UNIT COST OF ITEM 465 "MANHOLES & INLETS".
6. THE STATION LOCATION AND OFFSET DISTANCE SHOWN IN THE PLANS IS TO THE CENTER OF THE INLET.
7. RIPRAP BASIN AROUND THE INLET WHEN SHOWN IN THE PLANS IS PAID FOR UNDER ITEM 432.
8. ALL EXPOSED CORNERS SHALL HAVE A 3/4" CHAMFER.

DROP INLET TYPE W-1  
SAN ANTONIO DISTRICT STANDARD

ESTIMATED QUANTITIES ( BASED ON "H" 6'-6" )			
REINF. STL. LBS.	CY. CL. A CONCRETE	STRUCT. STL. LBS.	GRATES TYPE 4
× 542	× 4.60	× 97	× 1

REINFORCING STEEL ( BASED ON "H" = 6'-6" )

BARS A					BARS B					BARS C					BARS C1					BARS D					BARS E					BARS E1					BARS P				
NO.	SIZE	SPAC.	LEN.	WT.	NO.	SIZE	SPAC.	LEN.	WT.	NO.	SIZE	SPAC.	LEN.	WT.	NO.	SIZE	SPAC.	LEN.	WT.	NO.	SIZE	SPAC.	LEN.	WT.	NO.	SIZE	SPAC.	LEN.	WT.	NO.	SIZE	SPAC.	LEN.	WT.					
8	#4	12"±	19'-4"	103	7	#4	12"±	5'-10"	27	13	#4	12"±	6'-10"	59	24	#4	12"±	6'-10"	110	24	#4	12"±	5'-10"	94	6	#4	18"±	6'-5"	26	22	#4	12"±	6'-9"	99	4	#4	SHOWN	8'-8"	24

NOTE : QUANTITIES WILL VARY WITH "H".